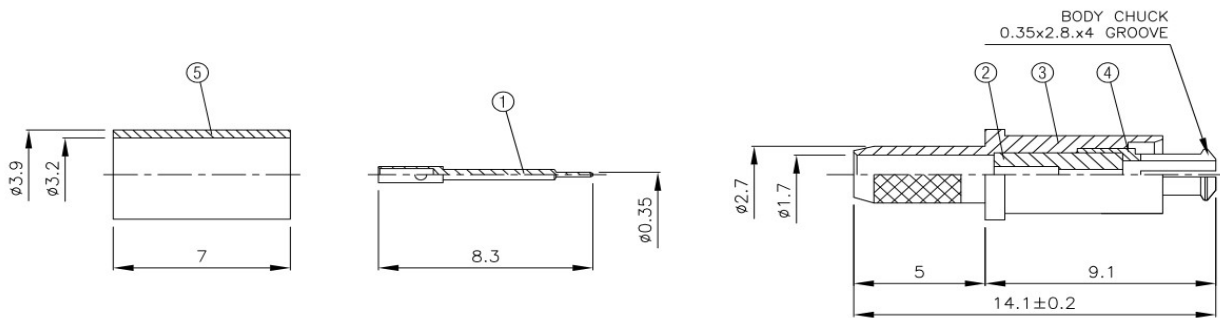
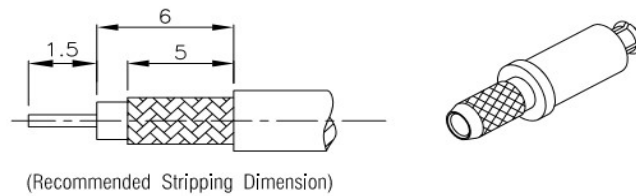


MC-Card-G

MC Card Stecker crimp /

RG174, RG316



NO	DESCRIPTION	MATERIAL	Q' TY	FINISH
1	PIN	PH.BRONZE	1	GOLD
2	INSULATION	TEFLON	1	TEFLON
3	BODY 1	BRASS	1	NICKEL
4	BODY 2	BE CU	1	GOLD
5	RING	BRASS	1	NICKEL